

# KANWAY®



## 自動回歸緩衝關門器

KAE7002B 鈦金黑

KAE7002G 鈦金灰

耐風壓效果高，可用於密閉空間

不用安裝“插銷”，不用拆放“壓力螺絲”

拆卸安裝時，不會夾手



不分左右邊，可重複使用

最大開啟角度180°

135°~85° 可隨意停

90°沒有定位“喀嚓”聲

重量級-最大承重 300kg (緩衝承重 70kg)

隱藏暗門/門鎖式 雙向功能

型號  
G2



業界  
第一

開關門測試  
認證  
通過

SGS

1,000,000 次



康士威科技建材股份有限公司  
KANSWAY TECHNOLOGY BUILDING MATERIAL CO.,LTD.



康士威集團有限公司 | TEL:02-77515372  
KANSWAY GROUP LIMITED | MADE IN MALAYSIA





自動回歸

緩衝

關門器



1,000,000次

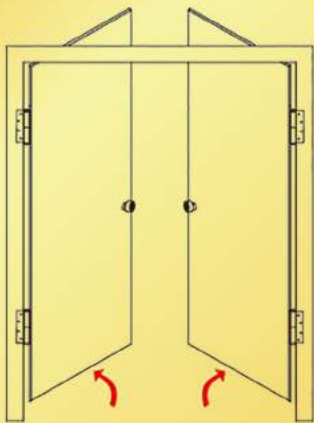
開關門測試  
認證通過

SGS

安裝說明書

型號: AE7002 (重型款)

70kg↓



(不分左右邊)



# SGS

## TEST REPORT

Mechanical &amp; Hardgoods Laboratory

Report No. : HL10153/2019

Page : 1 of 2

Date : MAR. 15, 2019

**KANSWAY TECHNOLOGY BUILDING MATERIAL GROUP LIMITED.**

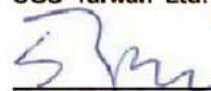
SUITE B, 29 HARLEY STREET, LONDON, UNITED KINGDOM, W1G9QR

 英國 康士威科技建材集團有限公司**The following merchandise was submitted and identified by the applicant as:**

Product Description: KANSWAY Automatic regression buffer door closer hinge  
Style/Item No.: AE7002 KANSWAY自動回歸緩衝關門器  
Country of Origin: Malaysia (馬來西亞)

**We have tested the submitted sample(s) as requested and the following results were obtained:**Test Requested: Durability testTest Method & Result: ---See following sheet(s)---Date of Receipt: Jan. 09, 2019Testing Period: Jan. 09, 2019 ~ Mar. 12, 2019

## 自動回歸緩衝關門器開合測試

Signed for and on behalf of  
SGS Taiwan Ltd.  
Sturm Su  
Asst. Manager

This document is issued by the Company subject to its General Conditions of Service printed overleaf, available on request or accessible at <http://www.sgs.com/en/Terms-and-Conditions.aspx> and, for electronic format documents, subject to Terms and Conditions for Electronic Documents at <http://www.sgs.com/en/Terms-and-Conditions/Terms-e-Documents.aspx>. Attention is drawn to the limitation of liability, indemnification and jurisdiction issues defined therein. Any holder of this document is advised that information contained hereon reflects the Company's findings at the time of its intervention only and within the limits of client's instruction, if any. The Company's sole responsibility is to its Client and this document does not exonerate parties to a transaction from exercising all their rights and obligations under the transaction documents. This document cannot be reproduced, except in full, without prior written approval of the Company. Any unauthorized alteration, forgery or falsification of the content or appearance of this document is unlawful and offenders may be prosecuted to the fullest extent of the law. Unless otherwise stated the results shown in this test report refer only to the sample(s) tested.

SGS Taiwan Ltd.  
台灣檢驗科技股份有限公司No.127, Wu Kung Road, New Taipei Industrial Park, New Taipei City, Taiwan  
t.(886-2) 2299-3279 f.(886-2) 2299-2920

www.tw.sgs.com

Member of SGS Group

台灣SGS測試

康士威集團有限公司  
KANSWAY GROUP LIMITED





## TEST REPORT

Mechanical & Hardgoods Laboratory

Report No. : HL10153/2019

Page : 2 of 2

### Test Method:

1. Secure the two hinges on the door then fixed on the working frame.
2. Open the door by using the gas cylinder to  $(70 \pm 5)$  degrees angle and close the door to the original position as one cycle.
3. Totally executing 1,000,000 cycles.
4. Tested Door:  
Weight: 40 kg; Size:85 cm x 200 cm
5. Frequency:  $(15 \pm 1)$  cycles/minute
6. After testing, visual checks the sample for damage and record any findings.

### Test Result:

Sample	Cycles	Result
KANSWAY Automatic regression buffer door closer hinge	1,000,000	No visual damage or loss of function was found after testing.

- Picture(s) -

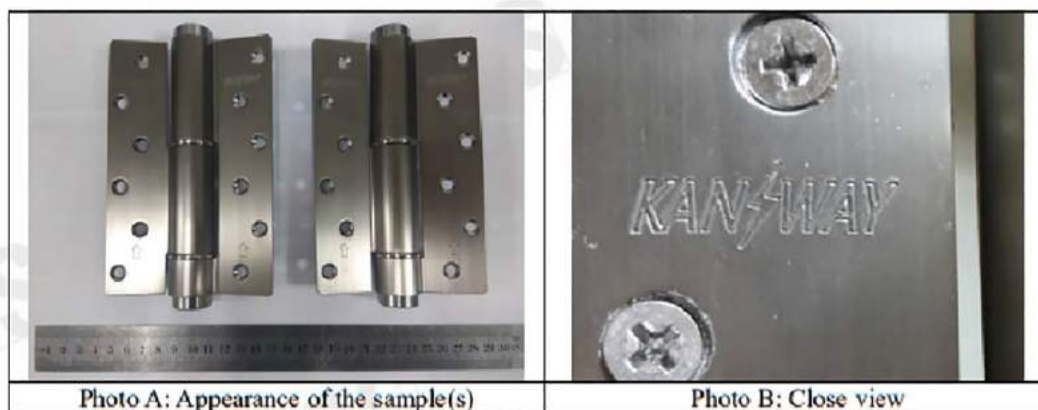


Photo A: Appearance of the sample(s)

Photo B: Close view

--- End of Report ---

## 測試結果：100萬次開合測試，無損壞狀況

This document is issued by the Company subject to its General Conditions of Service printed overleaf, available on request or accessible at <http://www.sgs.com/en/Terms-and-Conditions.asp> and, for electronic formal documents, subject to Terms and Conditions for Electronic Documents at <http://www.sgs.com/en/Terms-and-Conditions/Terms-a-Documents.asp>. Attention is drawn to the limitation of liability, indemnification and jurisdiction issues defined therein. Any holder of this document is advised that information contained herein reflects the Company's findings at the time of its intervention only and within the limits of clients' instruction, if any. The Company's sole responsibility is to its Client and this document does not exonerate parties to a transaction from exercising all their rights and obligations under the transaction documents. This document cannot be reproduced, except in full, without prior written approval of the Company. Any unauthorized alteration, forgery or falsification of the content or appearance of this document is unlawful and offenders may be prosecuted to the fullest extent of the law. Unless otherwise stated the results shown in this test report refer only to the sample(s) tested.

SGS Taiwan Ltd.  
台灣檢驗科技股份有限公司

No.127, Wu Kung Road, New Taipei Industrial Park, New Taipei City, Taiwan  
1 (886-2) 2299-3279

1 (886-2) 2299-2920

www.tw.sgs.com

Member of SGS Group

台灣SGS測試



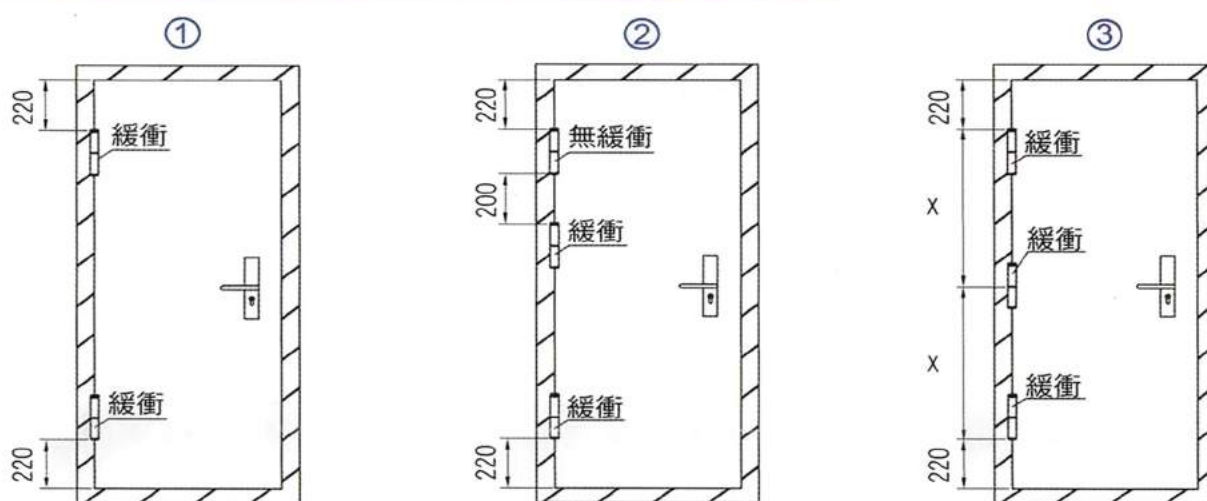
康士威集團有限公司  
KANSWAY GROUP LIMITED

請依照門重及尺寸正確使用鉸鏈的數量 **※超載使用，不予保固**

項次	門重	門寬度限制	門高度	鉸鏈數量	備註
①	35-70kg	≤ 900mm	2100mm以下	兩個緩衝	
②	35-70kg	≤ 900mm	2100-2400mm	兩個緩衝+一個無緩衝	
③	70-100kg	≤ 1000mm	2200mm以下	三個緩衝	

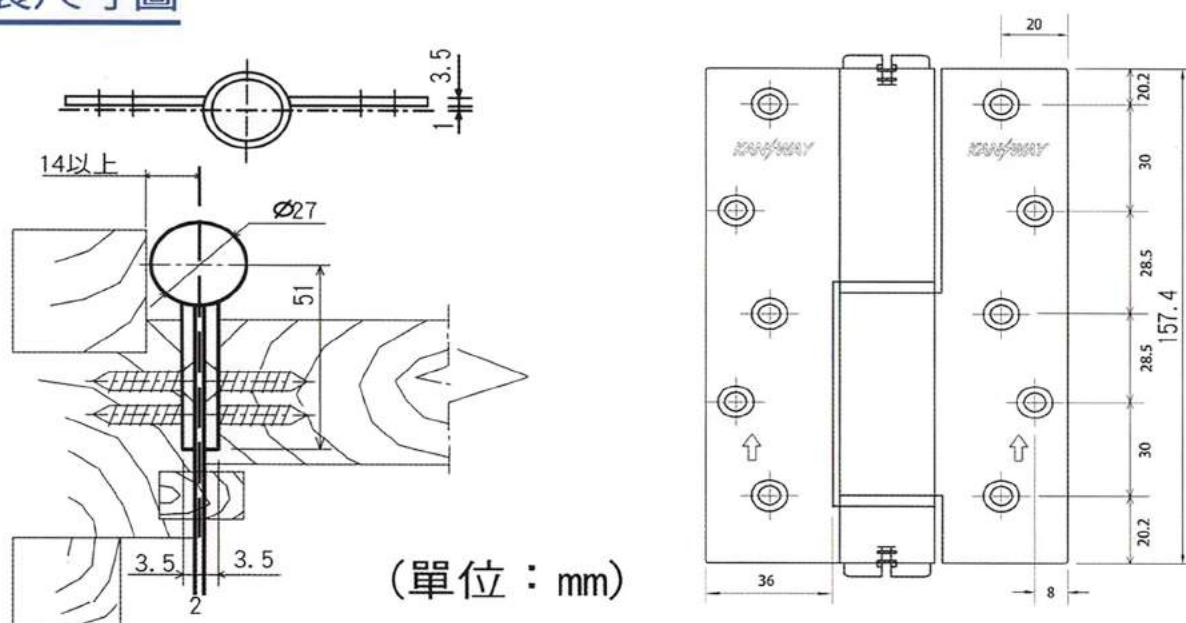
※為確保產品品質及功能順暢，嚴禁搭配它牌商品一起使用。

鉸鏈安裝配置 (請參照上表的項次①②③)



※請確實依照上圖所標示正確安裝鉸鏈及位置。

安裝尺寸圖





# <調整只要1>2>3 個步驟>

安裝步驟



打開包裝檢查產品及零配件是否齊全。

關門器\*2、六角板手\*2  
ST螺絲\*22、帽蓋\*4  
電動板手\*1、說明書\*1



將關門器安裝到門與門框上(無壓力狀態)

注意:  
產品要箭頭朝上安裝



調整第二段關門速度  
向左轉,速度快  
向右轉,速度慢

(每個關門器都要調整)



大 小  
順時針方向 逆時針方向

取六角板手,依實際門的重量做關門力道的壓力微調。

(每個關門器都要調整)



用黑色長條接頭,裝到工具上,依"順時鐘"方向鎖緊,當工具發出"噠"一聲後停止。

(每個關門器都要調整)

拆卸方式

依照上圖步驟2反向操作,以逆時針方向把壓力調小至無壓力狀態後即可拆卸。

# 注意事項



請勿使用  
鐵槌敲擊



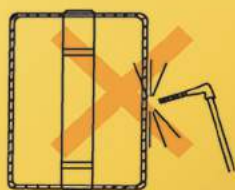
請勿開超過  
180度以上



門自動關上時  
請勿用力推



門與門框開槽  
深度要平行



請勿使用  
焊接方式固定



[www.kansway.com](http://www.kansway.com)



[kansway.tw](http://kansway.tw)

2020.10版